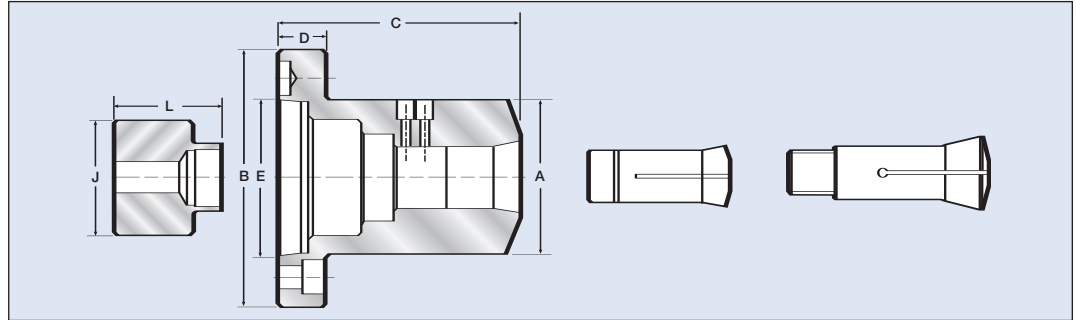


5C & 16C Collet Chucks

Pull Back Design for A Type and Straight Recess DIN 6353



5C and 16C Collet Chucks are used on CNC turning machines with drawtube actuation for bar work and second operation machining.

Main Spindle & sub-spindle CNC Chuck Application

- ⊕ Pull Back Collet Design
- ⊕ Use for second operation work
- ⊕ Chuck accuracy is .0002" TIR from rear mounting register and working collet taper. Repeatability is .0002" TIR
- ⊕ Hardened and ground main body and cone
- ⊕ High speed up to 6000 rpm
- ⊕ A type mounting and DIN 6353 straight recess

5C & 16C Series for 5C & 16C Standard type Collets

Chuck Type	5C	5C	5C	5C	5C	5C	5C
Mount	A2-4	A2-5	A2-5	A2-6	A2-6	A2-8	140 x 6
Collet Type	5C-0123	5C-0123	5C-0123	5C-0123	5C-0123	5C-0123	5C-0123
Capacity Round (mm/in)	27/1.25	27/1.25	27/1.25	27/1.25	27/1.25	27/1.25	27/1.25
Capacity Hex (mm/in)	22/.875	22/.875	22/.875	22/.875	22/.875	22/.875	22/.875
Capacity Square (mm/in)	19/.750	19/.750	19/.750	19/.750	19/.750	19/.750	19/.750
A (mm/in)	61/2.41	81/3.19	81/3.19	106/4.17	106/4.17	140/5.51	83/3.26
B (mm/in)	108/4.25	135/5.31	1.35/5.31	170/6.69	170/6.69	220/8.66	160/6.30
C (mm/in)	90/3.54	127/5.00	89/3.50	127/5.00	152.5/6.00	152.5/6.00	127/5.00
D (mm/in)	22/8.66	25/.98	25/.98	25/.98	25.98	30/1.18	25/.98
E (mm/in)	63.5/2.5	82.575/3.251	82.575/3.251	106.39/4.188	106.39/4.188	139.7/5.5	140/5.512
J (mm/in)	1.722/43.75	60.75/2.391	60.75/2.391	82.75/3.258	82.75/3.258	109.75/4.321	60/2.362
L (mm/in)	55/2.16	90/3.54	60/2.36	80/3.15	120/4.72	120/4.72	78/3.07
Maximum RPM	6000	6000	6000	6000	6000	4500	6000
Drawbar Force (lb/f)	4,496	4,496	4,496	4,496	4,496	4,496	4,496
Clamping Force (lb/f)	15,700	15,700	15,700	15,700	15,700	15,700	15,700
Aprox Chuck Weight	10 lbs	14 lbs	12 lbs	18 lbs	21 lbs	29 lbs	14 lbs
Chuck Part No.	F-057	G-627	F-052	G-626	F-053	F-054	G-628

Chuck Type	16C	16C	16C
Mount	A2-5	A2-6	A2-8
Collet Type	16C-G119	16C-G119	16C-G119
Capacity Round (mm/in)	42/1.625	42/1.625	42/1.625
Capacity Hex (mm/in)	35/1.375	35/1.375	35/1.375
Capacity Square (mm/in)	25.4/1.00	25.4/1.00	25.4/1.00
A (mm/in)	82.5/3.24	107/4.21	140/5.51
B (mm/in)	135/5.31	170/6.69	220/8.66
C (mm/in)	152.5/6.00	152.5/6.00	152.5/6.00
D (mm/in)	25/.98	25/.98	30/1.18
E (mm/in)	82.575/3.251	106.39/4.188	139.7/5.5
J (mm/in)	60.75/2.391	82.75/3.258	109.75/4.32
L (mm/in)	100/3.94	105/4.13	105/4.13
Maximum RPM	6000	6000	4500
Drawbar Force (lb/f)	5,394	5,394	5,394
Clamping Force (lb/f)	19,500	19,500	19,500
Aprox Chuck Weight	15 lbs	20 lbs	33 lbs
Chuck Part No.	F-77	F-78	F-79