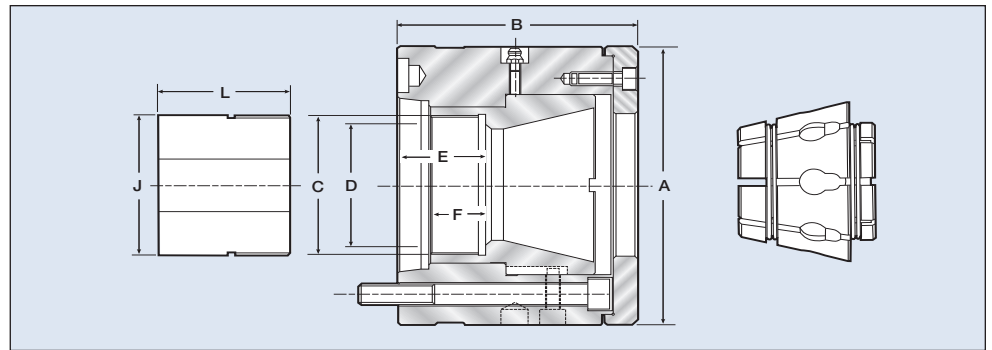


Crawford CDC Short Collet Chucks

Multibore Standard Collets Only

U.S. Patent Pending
 Uses Standard Multibore Collets see page 122

- ⓘ Ideal for bar work with minimum working envelope, not suitable for gripping short components for secondary operation.
- ⓘ Dead Length Operation
- ⓘ Large Capacity- CDC Chucks maximum round 2.59"
- ⓘ CDC uses Standard Multi-Bore Only
- ⓘ Collets are available for Round, Hex or Square parts.
- ⓘ Accurate-.0002" TIR from rear mounting register and working collet taper.
- ⓘ Repeatability .0002" on duplicate parts.
- ⓘ 1 Year Warranty
- ⓘ Available in A type and DIN 55026 mountings



CDC Series for Multibore Crawford Standard type Collets

Chuck Type	CDC-42S	CDC-54S	CDC-54S	CDC-66S
Mount	A2-5	A2-5	A2-6	A2-6
Maximum RPM	6000	6000	6000	5000
Drawbar Force (lb/f)	5,395	8,443	8,443	8,443
Multibore Collet	W-850	V-120	V-120	T-285
Capacity Round (mm/in)	42/1.65	54/2.12	54/2.12	66/2.59
Capacity Hex (mm/in)	38/1.49	51/2.00	51/2.00	57/2.24
Capacity Square (mm/in)	31/1.22	41/1.61	41/1.61	44/1.78
A (mm/in)	116/4.57	142/5.59	142/5.59	170/6.69
B (mm/in)	98/3.86	113/4.49	129/5.08	131/5.78
C	M68 x 1.5	M70 x 1.5	M70 x 2.0	M70 x 2.0
*D (mm/in)	60/2.36	52/2.09	62/2.44	75/2.95
E (mm/in)	34/1.31-43/1.69	31/1.22-41/1.61	48/1.81-58/2.28	48/1.81-58/2.28
F (mm/in)	18/.71	15/.59	20/.79	30/1.18
J (mm/in)	65/2.56	55/2.16	83/3.27	96/3.78
Aprox. Chuck Weight	22 lbs	34 lbs	34 lbs	48 lbs
Drawbar Force (lb/f)	5,390	8,535	8,535	8,535
Clamping Force (lb/f)	13,200	22,200	22,200	22,200
Chuck Order No.	F-325	F-757	F-327	F-941

*Note: 'D' represents the maximum drawtube thread diameter in conjunction with a drawtube adapter.

HOW TO ORDER: State quantity, Model Number of chuck and shipping instructions.