

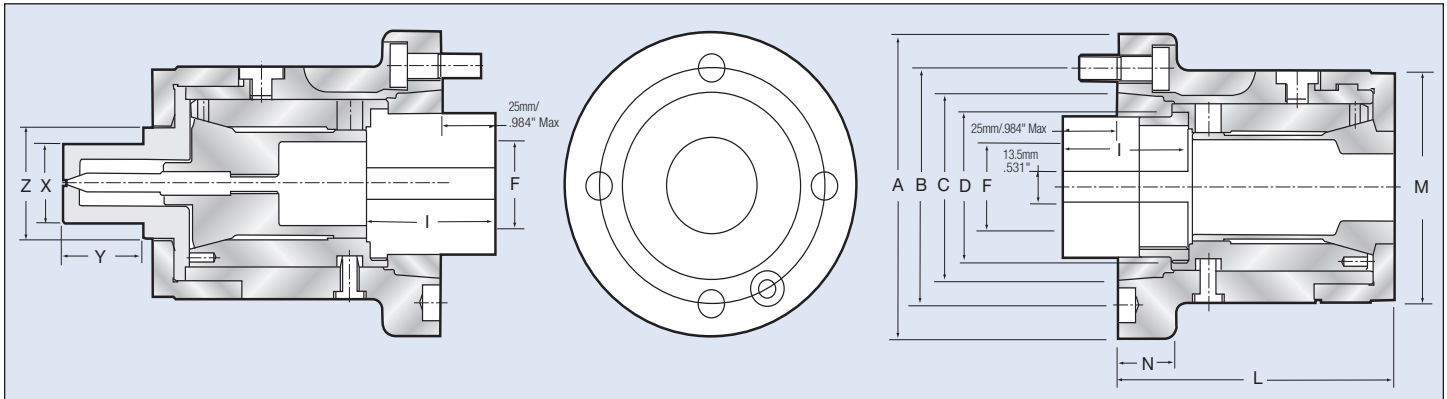


Atlas Workholding CPC Series Dead-Length Collet Chucks

Use with B type Spring or DIN 6343 Multibore Collets

Uses B Type Spring Collets
see page 116-120
or Din 6343 Multibore Collets
see page 124

- ⌚ Ideal for bar work or for second operation work.
- ⌚ Precision dead-length operation
- ⌚ High speed up to 8000 rpm ⌚ Body nickel plated for corrosion resistance
- ⌚ Repeatability .0001" (0.0025mm) on duplicate parts
- ⌚ Large thru-hole up to 3.15" (80mm)
- ⌚ Collets are available for Round, Hex or Square parts
- ⌚ Large clamping force up to 16,060 lbf (7300 kgf)
- ⌚ CPC collet types: B42, B60 and B80 or Multi-Bore Din 6343 Collets
- ⌚ 1 Year Warranty
- ⌚ I.D. chucking possible by installing an expanding mandrel and a push nut
- ⌚ Chuck includes threaded connector to customers specifications



CPC Series for B type Spring or DIN 6343 Multi-Bore Collets

Order Number	CPC-42A5	CPC-42A6	CPC-60A6	CPC-60A8	CPC-80A8
Spindle Mounting	A2-5	A2-6	A2-6	A2-8	A2-8
A (mm/in)	135/5.31	170/6.69	170/6.69	220/8.66	220/8.66
B (mm/in)	104.8/4.13	133.4/5.25	133.4/5.25	171.4/6.75	171.4/6.75
C (mm/in)	82.56/3.25	106.3/4.19	106.3/4.19	139.7/5.50	139.7/5.50
D	M66 x P15	M66 x P15	M90 x P15	M90 x P15	M114 x P2.0
F (Max Threading)	M60	M60	M90	M90	M100
I (mm/in)	57/2.244	69/2.176	66/2.598	66/2.598	72/2.834
M (mm/in)	103/4.06	103/4.06	132/5.20	132/5.20	155/6.10
N (mm/in)	27/1.06	32/1.26	27/1.06	32/1.26	35/1.38
L (mm/in)	129/5.08	133/5.24	155/6.10	155/6.10	175/6.89
X (mm/in) Std-Max	16/.63-50/1.968	16/.63-50/1.968	-	-	-
Y (mm/in) Std-Max	40/1.57-80/3.15	40/1.57-80/3.15	-	-	-
Mount Screw	M10 x 4	M12 x 4	M12 x 4	M16 x 6	M16 x 6
Collet (Spring/Multi-Bore)	B42/173E	B42/173E	B60/185E	B60/185E	B80/193E
Taper Stroke	6.0/0.24	6.0/0.24	6.0/0.24	6.0/0.24	6.0/0.24
Chuck Thru-Hole (mm/in)	42/1.65	42/1.65	60/2.36	60/2.36	80/3.15
Draw Bar Force (kgf/lbf)	2500/5500	2500/5500	3000/6600	3000/6600	3500/7700
Clamping Force (kgf/lbf)	5400/11800	5400/11800	6500/14300	6500/14300	7300/16060
Max rpm	6000	6000	5000	5000	4000
I.D. Function	Yes	Yes	No	No	No

HOW TO ORDER: State quantity, Model Number of chuck and shipping instructions.