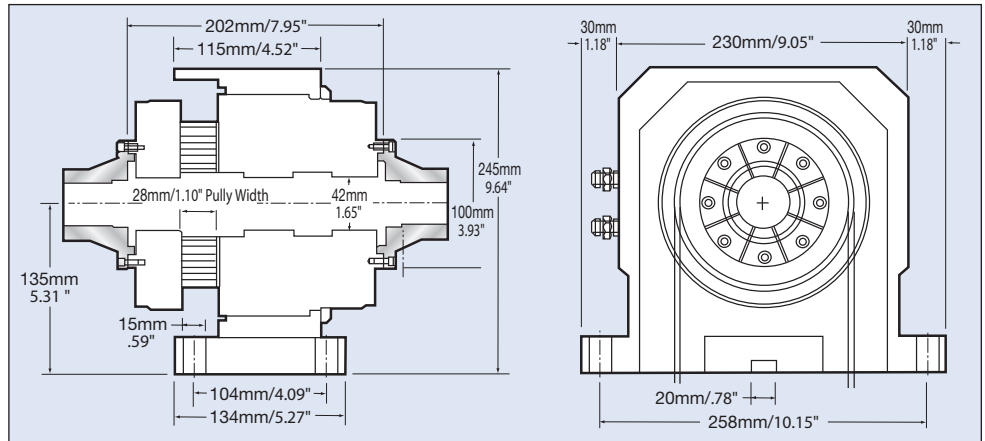




Atlas Workholding JAW-42 Spindle Diaphragm Chuck

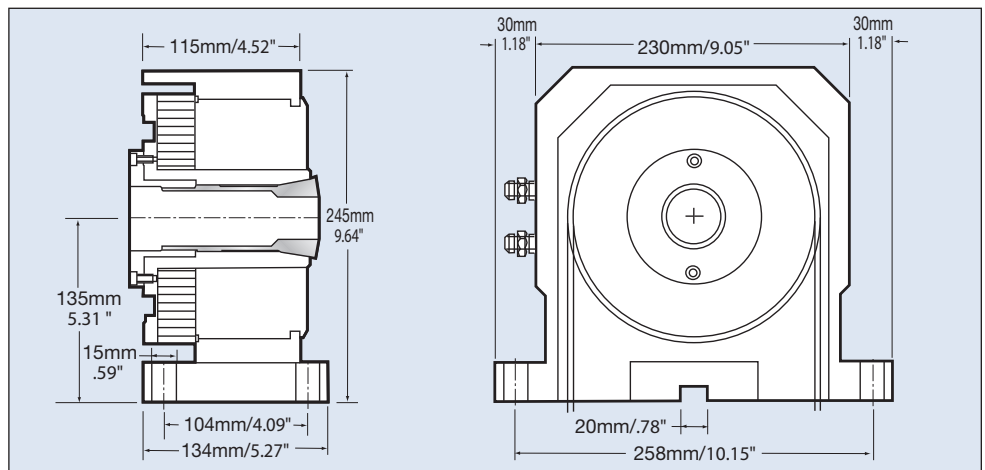
Bi-End Chucking for Simultaneous Machining

- ⊕ Specially designed for chucking OPC Drums (optical photo conductors)
- ⊕ Spindle run-out $\pm 0.003\text{mm}/.0001$
- ⊕ Work-part chucking run-out $\pm 0.010\text{mm}/.0004$ "
- ⊕ Adjustable chucking force, suitable for chucking thin-tubes whose thickness is $0.7\text{mm}/.027$ " or less
- ⊕ Compressed air actuated, high speed up to 3000 rpm
- ⊕ 42mm/1.65" chucking capacity, minimum work piece length is 210mm/8.26"
- ⊕ Drive motor required
- ⊕ 1 Year Warranty



Atlas JAK-40 Spindle Collets Chuck - 16C Collet

- ⊕ Work with 16C spring collets, 40mm/1.57"
- ⊕ Spindle run-out $\pm \pm 0.010\text{mm}/.0004$ "
- ⊕ Work-part chucking run-out $\pm 0.0250\text{mm}/.00098$ "
- ⊕ Compressed air actuated, high speed up to 2500 rpm
- ⊕ Large clamping force: 6000kgf@7kg/cm²/13,200lbf@100 psi
- ⊕ Drive motor required
- ⊕ 1 Year Warranty



Uses 16C Collets see page 116-117